

# What is it?

- an innovative manual push-around vertical platform with motorized lift/lower
- working height 4.17 m
- manual adjustable load tray easily positioned from on board the platform
- 73 cm wide, 115 cm long
- feather weight of only 280 kg



# Why choose Spin-Go?

## EFFICIENT AND VERSATILE

- its height can be manually adjusted while on board
- additional material can be loaded on the load deck found on the hood, up to a maximum load of 90 kg
- its weight allows it to be used in situations where no other equipment could be used

## SAFE

- to ensure maximum operator safety, the brake needs to be manually deactivated
- comfortable double swing door entrance
- low step height 36 cm
- both feet on a flat surface, the stability of the operator while carrying out his daily tasks is increased

## DURABLE

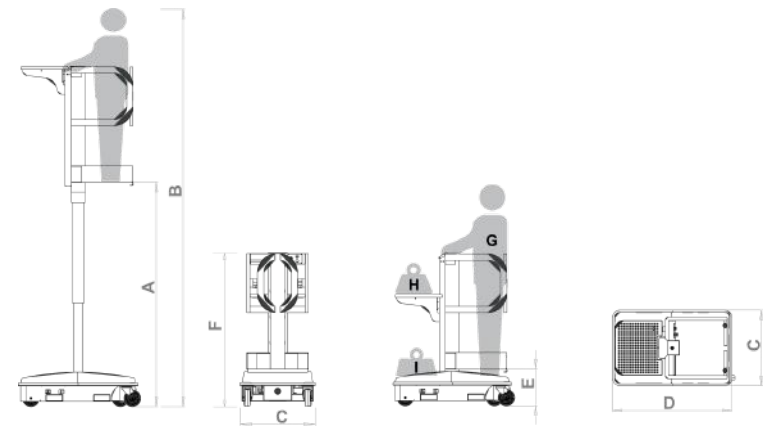
- maintenance-free lifting mast
- high-quality components
- simple yet effective design can be fitted with 12V AGM batteries that provide a longer work cycle between charges

"Spin-Go it is an innovative, crafted yet simple product. Once you try it, ladders won't do the job any more."



## Measurements

<b>A Platform Height</b>	2168 mm	<b>Platform Capacity</b>	130 kg
<b>B Working Height</b>	4168 mm	<b>Capacity Load Tray</b>	90 kg
<b>C Height Stowed</b>	1480 mm	<b>Capacity Load Deck</b>	90 kg
<b>D Platform Length</b>	1163 mm	<b>Unit Weight</b>	280 kg
<b>E Platform Width</b>	730 mm	<b>Rated Number of Occupants</b>	1
<b>Entry Step</b>	367 mm	<b>Power Source</b>	110/220 V ca 12 Vcc
		<b>Batteries</b>	N° 1 12V; 85Ah@20h



Follow us!

## Contacts

info@bravi-platforms.com  
 www.bravi-platforms.com  
 +39 071 7819090

**BRAVI**  
 PLATFORMS